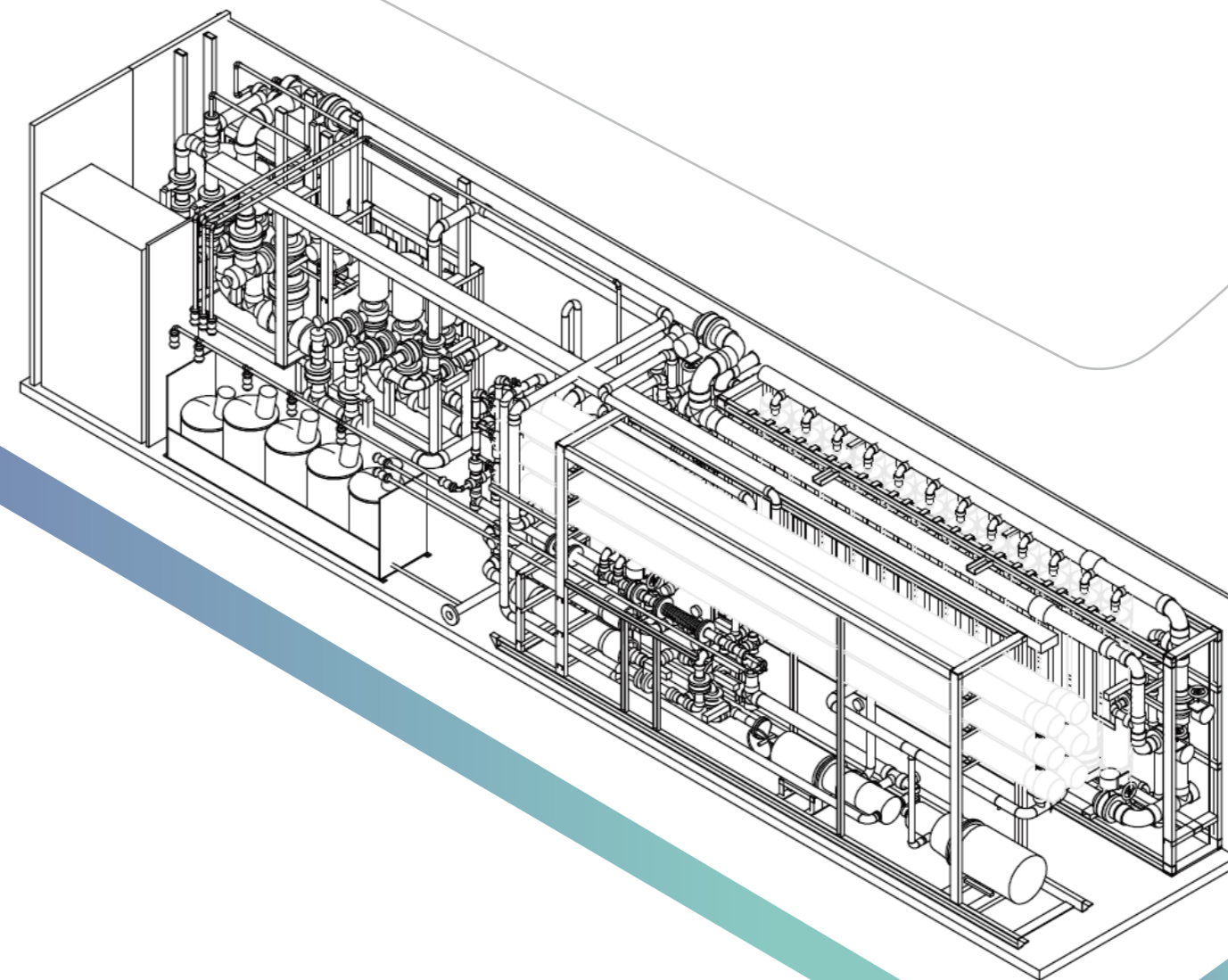
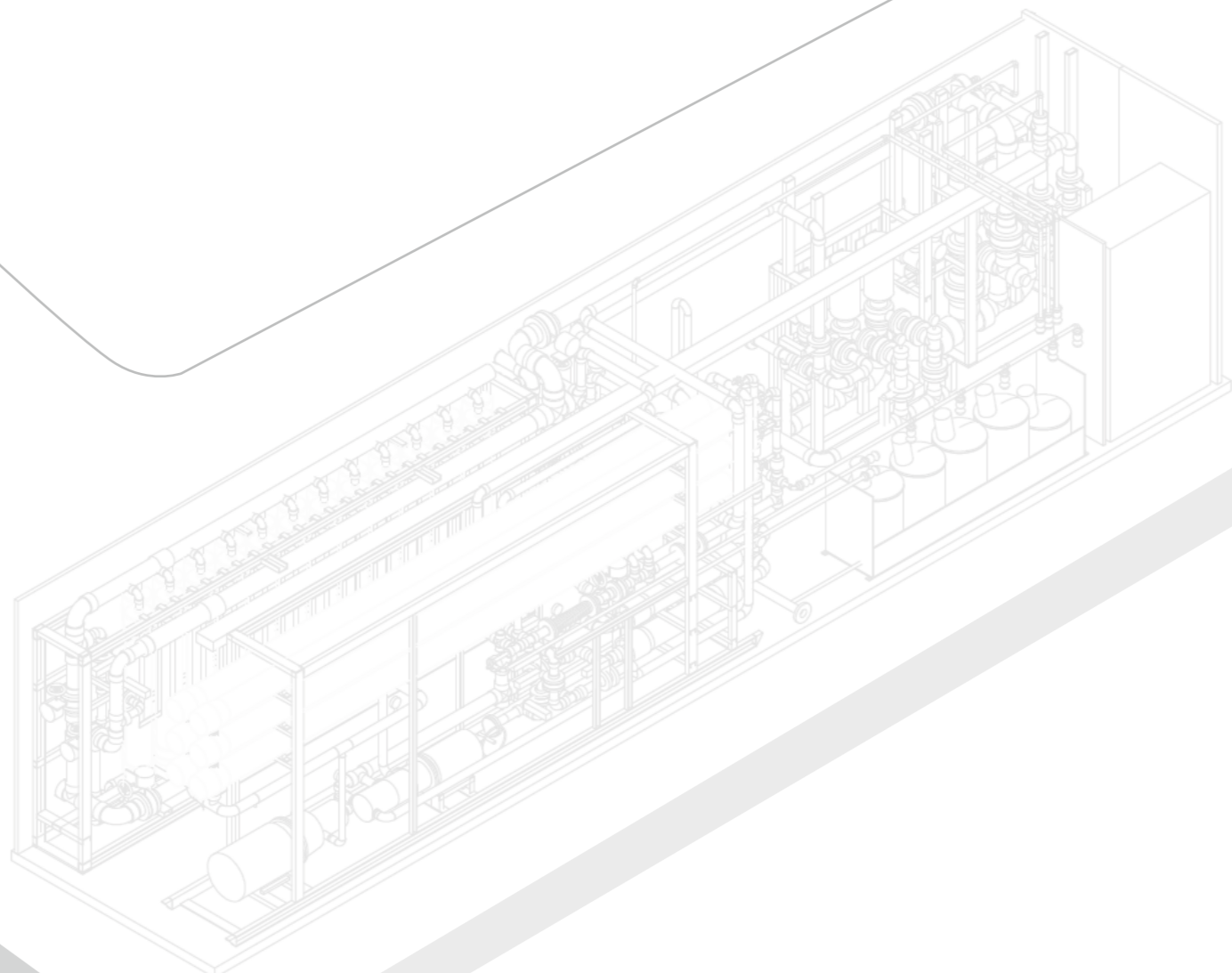


我们的优势 Our advantage

- 顶级的研发中心
- 完善的资质保证
- 稳定的产品供应能力
- Top R & D center
- Perfect qualification guarantee
- Stable product supply capacity



- 50年的水处理成功经验
- 700,000t/d的装备制造能力
- 快速的装备制造周期
- 高品质的出水能力
- 便捷的操作流程
- 个性化的服务宗旨
- 卓越能力为您提供可靠用水保障
- 50 years of successful experience in water treatment
- 700,000 t / d of equipment manufacturing capacity
- Fast equipment production cycle
- High quality water capacity
- Convenient operating procedures
- Personalized service purposes
- Excellent ability to provide you with reliable water protection



ABOUT US

关于我们

专注于研发与制造
一体化集成水处理装备
Focus on R & D and manufacturing
Integrated integrated water treatment equipment

蓝星（杭州）膜工业有限公司坐落于杭州余杭（钱江）经济开发区，依托杭州水处理技术研究开发中心有限公司技术背景，由中国化工蓝星集团公司出资成立，是我国海水淡化技术装备制造基地，专业从事液体分离膜及水处理装备研发生产。

BHM is located in Hangzhou Yuhang (Qianjiang) Economic Development Zone, relying on the technical background of Hangzhou Water Treatment Technology Development Center Co., Ltd., funded by BlueStar Group of CHEMCHINA, possessing the biggest desalination manufacturing and integration base, specializing in R&D and production of liquid separation membrane and water treatment equipment.

- 拥有超过三十年的膜研发及应用经验
- 拥有国内一流的膜技术专家团队
- 拥有近百项与膜相关的国内外发明及应用专利
- More than 3-decade experience in membrane research and application
- A domestic first-class membrane technology expert team
- Nearly 100 membrane patents of invention and application in home and abroad



BHM网站二维码



公众号二维码

+86571 88935488
+86571 88935410

网 址: www.bhmem.com
生产基地: 杭州市钱江经济开发区顺风路602号

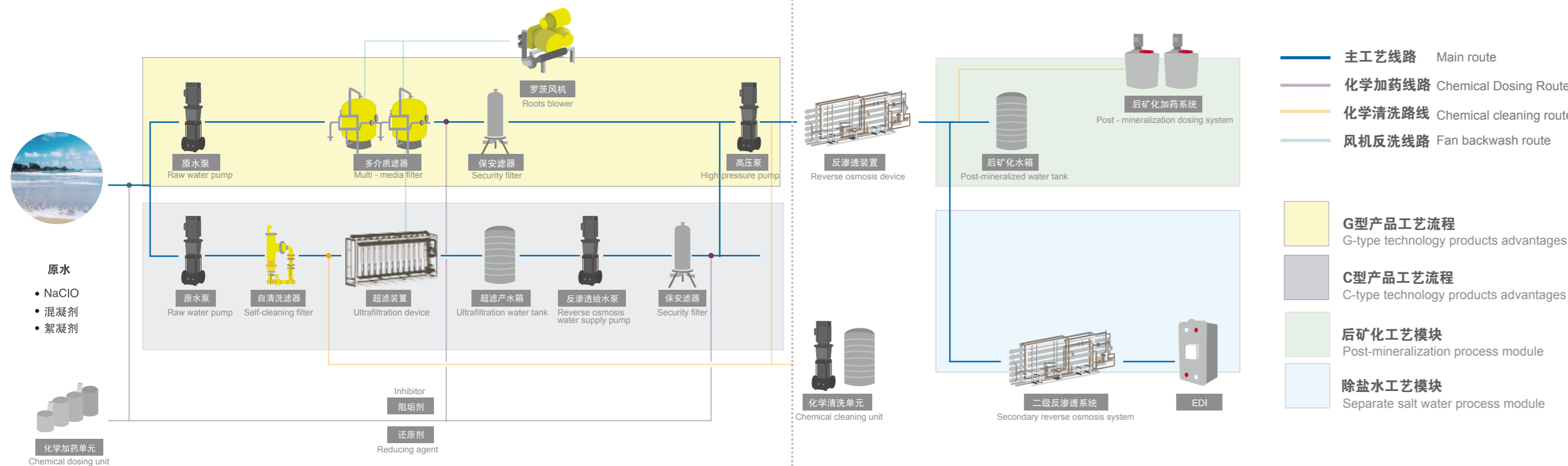
Web: www.bhmem.com
Production base: 602 Shun Feng Road, Qianjiang Economic Development Zone, Hangzhou

集装箱装置产品册 CONTAINER EQUIPMENT PRODUCT MANUAL

蓝星(杭州)膜工业有限公司
BLUESTAR(HANGZHOU)MEMBRANE INDUSTRIES CO.,LTD



PRODUCT TECHNOLOGY | 产品工艺



SERVICE SYSTEM | 服务体系

致力于售前、售中、售后的全方位服务体系，秉承“高效、快速、便捷”的核心理念，始终致力于以更完善的体系，更专业的技术、更严格的标准，打造更贴心的服务，赢得用户的信任和赞誉。

Is committed to the pre-sale, sale, sale of the full range of service system, adhering to the "efficient, fast and convenient," the core concept, has always been committed to a more perfect system, more professional technology, more stringent standards, to create more intimate Service, to win the user's trust and praise.



APPLICATION AREAS | 应用领域

组装迅速，运输便利，操作便捷，整合式的设计为世界各地的用户带来新的用水体验。目前产品已经销往国内外20多个国家及地区，为电力、石化、钢铁、基建、市政、环保、医疗等多个领域的客户提供他们所需的一切淡水资源。

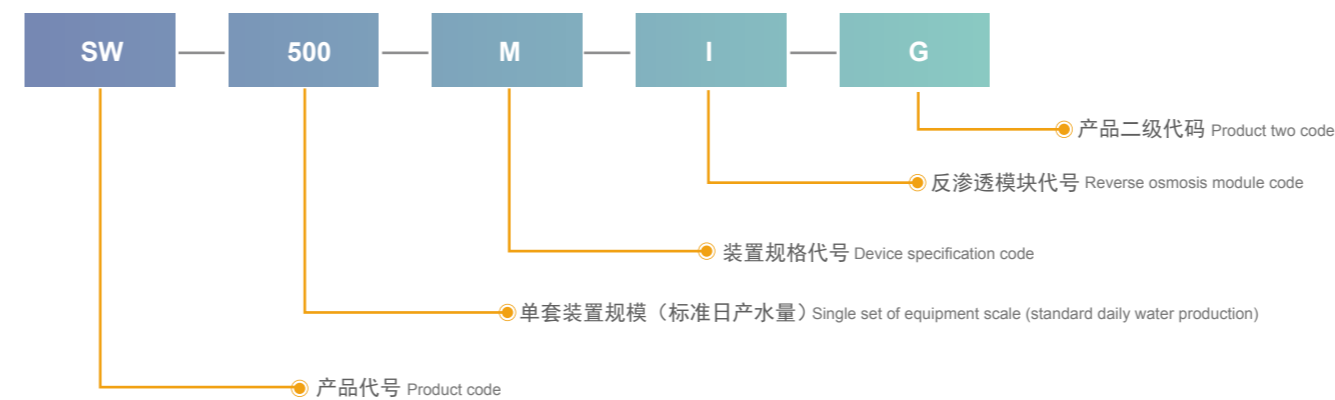
Fast assembly, convenient transportation, easy operation, integrated design for the rest of the world users to bring new water experience. At present products have been sold to more than 20 countries and regions at home and abroad, for the power, petrochemical, steel, infrastructure, municipal, environmental protection, medical and other fields to provide all the necessary fresh water resources.



PRODUCT DESCRIPTION | 产品介绍

AIWS系类集装箱式反渗透装置产品型号 AIWS series container type reverse osmosis device product model

产品型号以反渗透的英文字头和装置的日产量、规格代号和工艺级数组合而成。
Product model to reverse osmosis English prefix and device Nissan water, specification code and the combination of the process level.



产品代号 (用英文字母的字头表示)	Product code (in English alphabet)
SW——适用于高含盐量型; BW——适用于普通含盐量型。	SW - suitable for high salinity type; BW - suitable for ordinary salt type.
产品二级代号 (用英文字母的字头表示)	Product secondary code (in English alphabetical prefix)
G——以机械过滤装置作为预处理; C——以超滤装置作为预处理。	G - mechanical filter as a pretreatment; C - ultrafiltration device as a pretreatment.
反渗透模块代号 (以希腊字母II表示)	Reverse osmosis module code (represented by the Greek letter I, II)
I——标准反渗透模块; II——加能量回收装置的反渗透模块。	I - standard reverse osmosis module; II - plus energy recovery device reverse osmosis module.
装置规模以标准日产量表示, 单位m ³ /d	The scale of the unit is expressed in terms of standard daily water production, in m ³ / d

AIWS系类集装箱式反渗透装置产品规格 AIWS series container type reverse osmosis device product specifications

AIWS系列集装箱式反渗透装置分为SW型和BW型。
拥有6种规格，单套装置标准产水量为20t/d、50t/d、100t/d、200t/d、500t/d、1000 t/d。

AIWS series container type reverse osmosis device is divided into SW type and BW type.
With 6 specifications, the standard water production is 20t / d, 50t / d, 100t / d, 200t / d, 500t / d, 1000t / d.



产品选型指南 Product Selection Guide



产品应用范围及基础性参数 Product application scope and basic parameters

型号 Model	外型 Appearance	数量 Quantity	电耗 Power consumption	装机容量 Installed capacity	进水水质适用范围 Water quality of the scope of application	脱盐率 Desalination rate	回收率 Recovery rate	
SW	20系列 20 series	20尺集装箱 20-foot container	1	3.4-6.1kmh/m ³	2.9-5.1kW	TDS>5000ppm	99%@25℃	35%-50%
	50系列 50 series	20尺集装箱 20-foot container	1	3.3-6.0kmh/m ³	7.0-12.5kW			
	100系列 100 series	30尺集装箱 30-foot container	1	3.3-5.9kmh/m ³	13.8-24.6kW			
	200系列 200 series	30尺集装箱 30-foot container	1	3.3-5.9kmh/m ³	27.5-49.2kW			
	500系列 500 series	40尺集装箱 40-foot container	1	3.2-5.8kmh/m ³	66.7-120.1kW			
	1000系列 1000 series	40尺集装箱 40-foot container	1	3.2-5.8kmh/m ³	129.2-241.7kW			

型号 Model	外型 Appearance	数量 Quantity	电耗 Power consumption	装机容量 Installed capacity	进水水质适用范围 Water quality of the scope of application	脱盐率 Desalination rate	回收率 Recovery rate	
BW	20系列 20 series	20尺集装箱 20-foot container	1	2.0-2.2kmh/m ³	1.7-1.9kW	TDS < 5000ppm	97%@25℃	65%-80%
	50系列 50 series	20尺集装箱 20-foot container	1	2.0-2.2kmh/m ³	4.2-4.6kW			
	100系列 100 series	30尺集装箱 30-foot container	1	1.8-2.0kmh/m ³	7.5-8.4kW			
	200系列 200 series	30尺集装箱 30-foot container	1	1.7-1.9kmh/m ³	14.2-15.9kW			
	500系列 500 series	40尺集装箱 40-foot container	2	1.7-1.9kmh/m ³	35.5-39.6kW			
	1000系列 1000 series	40尺集装箱 40-foot container	2	1.6-1.8kmh/m ³	66.7-75kW			